

AMT 系列铝电解电容器
AMT Series Aluminum Electrolytic Capacitor

◆特征
Feature

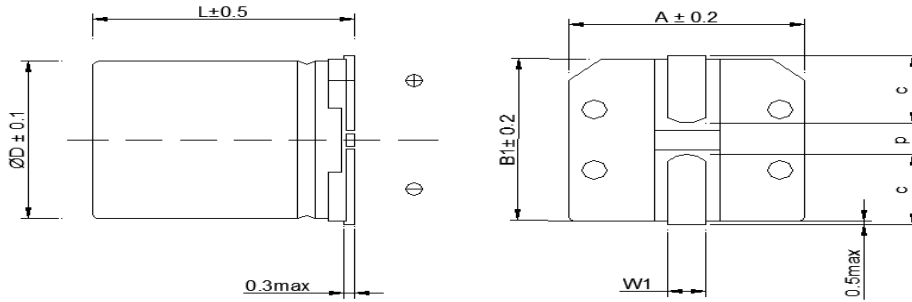
- * 寿命: 100°C 2000 小时
Load life: 105°C 2000 hours.
- * 符合 RoHS
Compliant to the RoHS Directive.
- * 符合 AEC-Q200
Compliant to the AEC-Q200 Directive.

◆应用
Application

- * 适用于汽车模块电子产品
Ideally suited for switching power supplies, telecommunication and other electronic products.
- * 适用于自动表面贴装技术和高密度电路
Ideally suited for automatic SMT and high density circuits.

◆型号表示法
Part Number

8	2	2	0	L	F	M	A	A	0	5	M	T	0	0	0	B	T
①	②	③		④	⑤		⑥	⑦	⑧	⑨		⑩					
代码 Code	产品类别 Type	代码 Code	电压 Voltage	代码 Code	尺寸 Dimensions ΦDxL(mm)	代码 Code	商标 Trademark	代码 Code	内码 Internal Code	产品脚型 Lead Forming Type							
8	成品 Product	LO	4		0405	Φ4x5.5	0	无商标	01	贴片品 Chip type							
		LA	6.3		0505	Φ5x5.5			0B	汽车电子 automotive electronics							
		LB	10		AA05	Φ6.3x5.5				cartronics							
		LC	16		AA07	Φ6.3x7.7				贴片编带品 Chip tape							
		LD	25		0810	Φ8x10.5											
		LE	35		1010	Φ10x10.5											
		LF	50														
		LG	63														
		MA	100														
代码 Code	标称容量 Nominal Capacitance	代码 Code	误差 Tolerance	代码 Code	型号 Series	代码 Code	胶管颜色 Sleeve Color										
1R0	1uF	K	±10%	MT	AMT	0	无胶管 No label										
2R2	2.2uF	V	± ²⁰ / ₁₀ %														
221	220uF	M	±20%														

◆产品结构
Product Structure


$\varnothing D \pm 0.5$	L	$A \pm 0.2$	B_1	$C \pm 0.2$	W_1	$P \pm 0.2$
4	5.5 ± 0.2	4.3	4.3	1.8	0.5~0.8	1.0
5	5.5 ± 0.2	5.3	5.3	2.1	0.5~0.8	1.4
6.3	5.5 ± 0.2	6.6	6.6	2.5	0.5~0.8	2.0
6.3	7.7 ± 0.3	6.6	6.6	2.5	0.5~0.8	2.0
8	10.5 ± 0.5	8.5	8.5	2.9	0.8~1.1	3.1
10	10.5 ± 0.5	10.3	10.3	3.2	0.8~1.1	4.5

◆主要特性表
Main specifications

项目 Item	主要特性 Performance Characteristics							
额定工作电压范围 Rated Voltage Range	4~100V.DC							
使用温度范围 Operating Temperature Range	-40°C~+105°C							
标称静电容量范围 Nominal Capacitance Range	0.1~1000 μ F							
静电容量允许偏差 Capacitance Tolerance	$\pm 20\%$ (M, +25°C, 120Hz)							
漏电流 Leakage Current (25°C)	额定工作电压(V) Rated working voltage	4~100						
	漏电流 Leakage current	2 分钟后 $I \leq 0.01CV$ 或 $3(\mu A)$, 取最大值 After 2 min. $I \leq 0.01CV$ or $3(\mu A)$, Whichever is greater.						
C: 标称静电容量 (μ F) Nominal Capacitance in μ F V: 额定工作电压 (V) Rated working voltage in V								
损耗角正切 DF Dissipation Factor	额定工作电压(V) Rated working voltage	4	6.3	10	16	25	35	50~100
	DF(MAX) (25°C, 120Hz)	0.35	0.30	0.24	0.20	0.16	0.14	0.14

浪涌电压 Surge Voltage	额定工作电压(V) Rated working voltage	4	6.3	10	16	25	35	50	100
	浪涌电压(V) Surge voltage	6.3	8	13	20	32	44	63	125
温度特性 Temperature Stability	额定工作电压(V) Rated working voltage		4~6.3	10	16	25	35	50~100	
	阻抗比(120Hz) Impedance Ratio	z-25°C/z+25°C	6	4	4	3	2	2	
		z-40°C/z+25°C	12	10	8	6	4	4	
高温负荷特性 Load life	<p>在+105°C 环境中施加额定工作电压和最大允许纹波电流 2000 小时后,电容器的性能符合下面要求:</p> <p>After application of rated working voltage with max permissible ripple current specified at +105°C for 2000 hours, capacitors meet the characteristics requirements measured at +20°C listed at below:</p> <p>1、电容量变化率:±30%初始测量值以内 Capacitance change : ±30% initial measured value</p> <p>2、漏电流: ≤初始规定值 Leakage current: ≤initial specified value</p> <p>3、损耗角正切值≤300%倍初始规定值 Dissipation factor: ≤300% initial specified value</p>								
高温贮存特性 Shelf life	<p>在+105°C环境无负荷放置 1000 小时后, 根据 JIS-C-5101-4, 加额定电压 30min., 常温放置 24~48 小时后测试, 电容器的性能符合下面要求:</p> <p>After leaving capacitors under no load at +105°C for 1000 hours, According to JIS-C-5101-4, apply the rated DC voltage for 30 minutes and store the capacitors under room temperature for 24-48 hours. The capacitors meet the characteristics listed as below:</p> <p>1、电容量变化率:±30%初始测量值以内 Capacitance change : ±30% initial measured value</p> <p>2、漏电流: ≤初始规定值 Leakage current: ≤initial specified value</p> <p>3、损耗角正切值≤300%倍初始规定值 Dissipation factor: ≤200% initial specified value</p>								

◆尺寸表、允许纹波、电流纹波电流频率因子

Dimensions and ripple current and frequency coefficient

纹波电流频率因子

Ripple current frequency coefficient

Freq (Hz) Cap (μF)	50 (60)	100 (120)	500	1K	≥10K
0.1~1	0.50	1.00	1.20	1.30	1.50
2.2~4.7	0.65	1.00	1.20	1.30	1.50
10~47	0.80	1.00	1.20	1.30	1.50
100~1000	0.80	1.00	1.10	1.15	1.20

尺寸表与允许纹波电流
Dimensions and ripple current

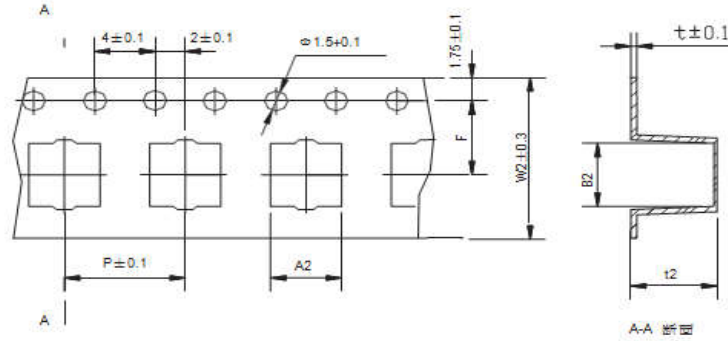
WV/V Cap/ μ F	4		6.3		10		16		25		35	
	Φ D×L	mA	Φ D×L	mA	Φ D×L	mA	Φ D×L	mA	Φ D×L	mA	Φ D×L	mA
2.2											4×5.5	7.5
3.3											4×5.5	9
4.7									4×5.5	13	4×5.5	14
10							4×5.5	20	4×5.5 5×5.5	17 20	4×5.5 5×5.5	20 24
22	4×5.5	22	4×5.5	23	5×5.5	26	4×5.5 5×5.5	23 31	5×5.5 6.3×5.5	28 36	6.3×5.5	46
33	5×5.5	30	5×5.5	27	5×5.5	34	5×5.5 6.3×5.5	35 40	6.3×5.5	48	6.3×5.5	49
47	5×5.5	36	4×5.5 5×5.5	31 37	6.3×5.5	41	5×5.5 6.3×5.5	48 56	6.3×5.5	49	6.3×5.5 6.3×7.7	50 55
100	6.3×5.5	60	6.3×5.5	57	5×5.5 6.3×5.5	57	6.3×5.5 6.3×7.7	60 100	6.3×7.7	65	6.3×7.7 8×10.5	80 240
150	6.3×5.5	86	6.3×5.5	86	6.3×7.7	86	6.3×7.7	95	8×10.5	140	8×10.5	155
220	6.3×7.7	102	6.3×5.5	73	6.3×5.5 6.3×7.7	75 120	6.3×7.7	85	8×10.5	232	8×10.5 10×10.5	180 265
330	6.3×7.7	105	6.3×7.7 8×10.5	93 240	8×10.5	195	8×10.5	90	8×10.5	320	10×10.5	300
470	8×10.5	210	6.3×7.7 8×10.5	140 350	8×10.5	210	8×10.5	290	10×10.5	490	10×10.5	300
680	8×10.5	210	8×10.5	210	10×10.5	310	10×10.5	310				
1000	8×10.5	230	8×10.5	230	10×10.5	310						

WV/V Cap/ μ F	50V		63V		100V	
	Φ D×L	mA	Φ D×L	mA	Φ D×L	mA
0.1	4×5.5	1.0	4×5.5	1.0		
0.22	4×5.5	2.0	4×5.5	2.0		
0.33	4×5.5	2.5	4×5.5	2.5		
0.47	4×5.5	4.0	4×5.5	4.0		
1	4×5.5	8.0	4×5.5	8.0		
2.2	4×5.5	11	4×5.5	11		
3.3	4×5.5	13	4×5.5	16		
4.7	4×5.5 5×5.5	15 18	4×5.5 5×5.5	16 19	5×5.5 6.3×5.5	20 25
10	6.3×5.5	28	6.3×5.5	32	8×10.5	100
22	6.3×5.5	45	6.3×7.7	58	8×10.5	100
33	6.3×7.7	60	8×10.5	140	10×10.5	150
47	6.3×7.7	70	8×10.5	170	10×10.5	200
100	8×10.5	140	10×10.5	310		

◆包装

Packaging

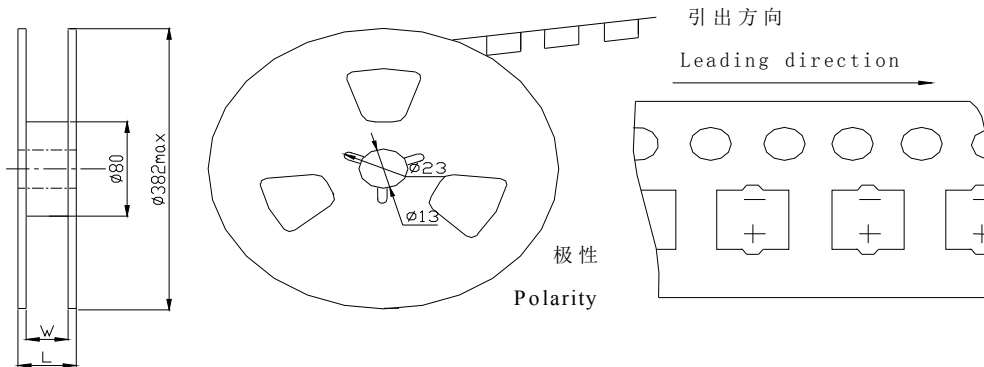
载带尺寸 Taping dimensions



尺寸 Size	W2	A2	B2	P	T2	F	t1
4x5.5	12.0	4.7	4.7	8	5.7	5.5	0.4
5x5.5	12.0	5.7	5.7	12	5.7	5.5	0.4
6.3x5.5	16.0	7.0	7.0	12	5.7	7.5	0.4
6.3x7.7	16.0	7.0	7.0	12	8.3	7.5	0.4
8x10	24.0	8.7	8.7	16	11	11.5	1.0
10x10	24.0	10.7	8.7	16	11	11.5	1.0

贴片品编带包装及数量

Taping reel and packing quantity



尺寸 Size	L	W ₃	数量 Quantity/reel
Φ4×5.5	19	14	2000pcs
Φ5×5.5	19	14	1000pcs
Φ6.3×5.5	23	18	1000pcs
Φ6.3×7.7	23	18	1000pcs
Φ8×10.5	30	26	500pcs
Φ10×10.5	28	26	500pcs